



# WINCH MOUNT KIT

FOR JOHN DEERE XUV 625-825-855

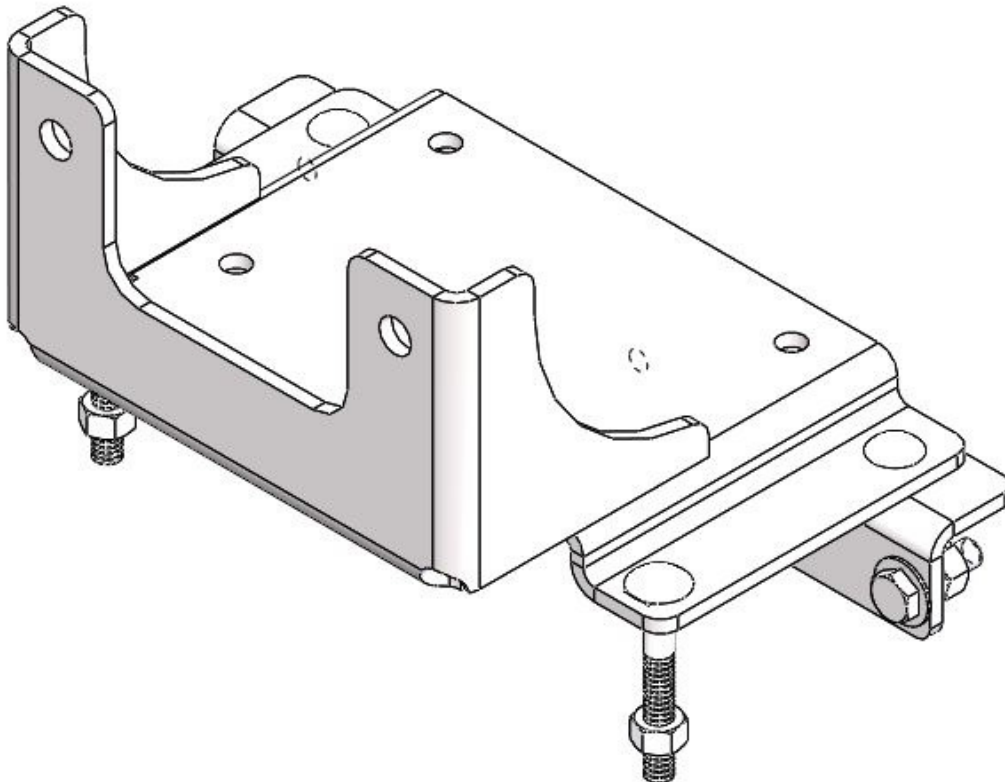
P/N 25-8810

ASSEMBLY / OWNERS MANUAL

Application

WINCH KIT NO. 25-9xxx

Before you begin, please read these instructions and check to be sure all parts and tools are accounted for. The following instructions contain details required to install and service the contents of this kit.



# OPERATING INSTRUCTIONS

Congratulations! You've just purchased the most durable accessory component in the industry. Our accessories work great all year round! With proper care and maintenance, your Kolpin accessory will last for years to come! Please read and understand all assembly instructions, notices and warnings before assembling and using your Kolpin accessory.

## Follow these guidelines to ensure a successful and satisfactory installation:

Read, understand this manual before beginning installation

Periodically check for wear and tightness of all fasteners.

Replace or re-torque fasteners as necessary.

## SAFETY & GENERAL PRODUCT INFORMATION

Kolpin accessories are designed with your safety in mind.

In order to protect you and your vehicle, certain parts of the accessory and/or hardware may be designed to collapse or break when the equipment is over-stressed.

Kolpin winch mount kits are designed to be compatible with Kolpin and Cycle Country winches along with many others, but may not be compatible with some winches. Kolpin winch mount kits have design features that benefit snow plow applications.



### **! DANGER ! ! WARNING ! ! CAUTION !**

#### **To avoid personal injury or damage to your vehicle:**

Read and understand all notices for:

Caution

Warning

Danger

Follow instructions for your vehicle, winch, winch mount and other items used in combination with this product.

Do not winch unsecured loads at any time.

Disconnect battery during winch installation or service to prevent electrical hazards.

Do not lift loads overhead.

Do not exceed the load capacity of the winch.

Always wear gloves when handling wire winch cable.

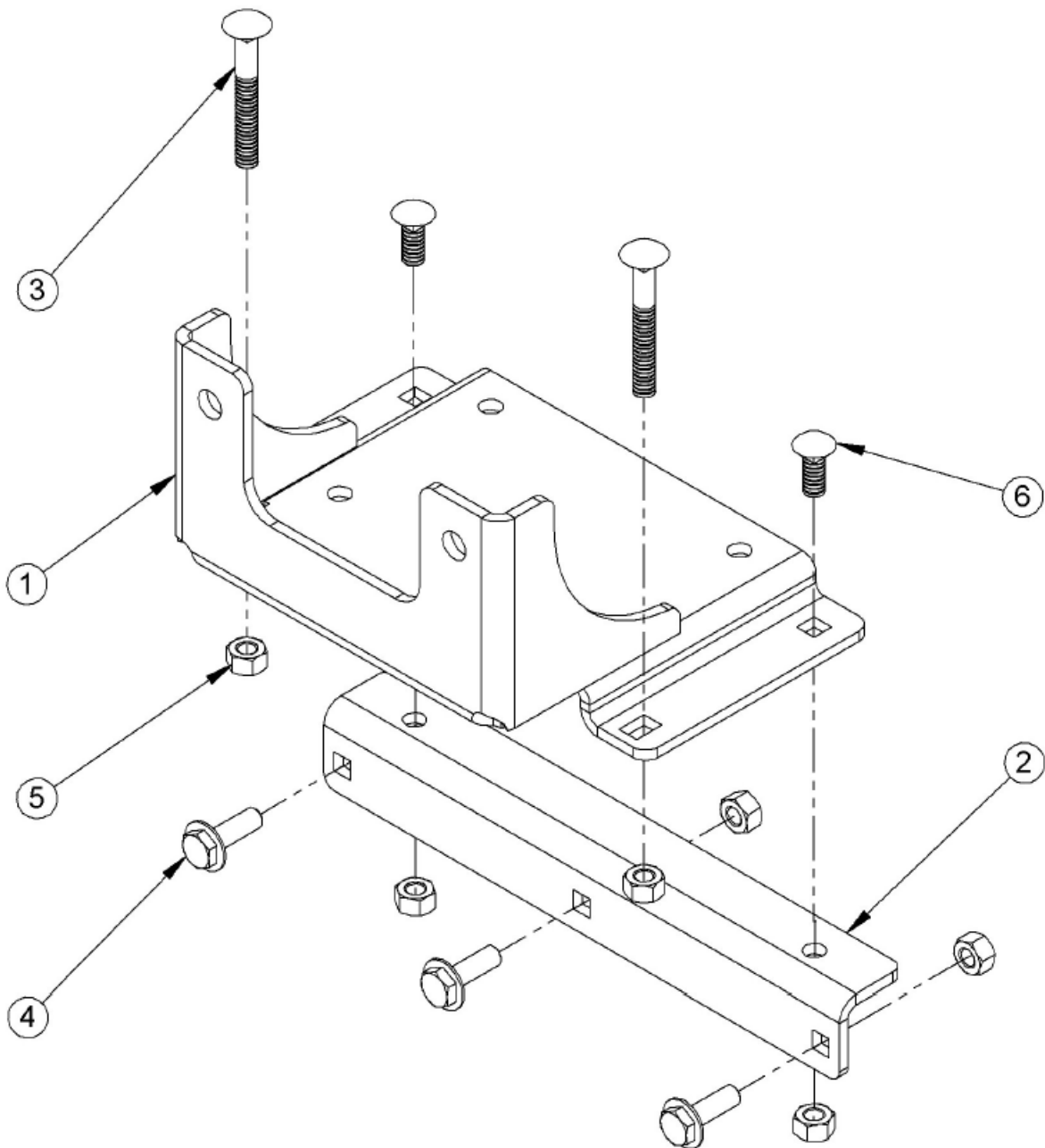
Do not use your winch or winch mount for towing.

Do not shock load the winch, cable or winch mount.

Keep fingers, hands and loose clothing away from roller fairlead and winch cable drum when in use.

## Kit Contents:

Item	Qty	Part Description	Part Number
1	1	Winch Mount Plate	-
2	1	Winch Mount Rear Support Bar	-
3	2	Carriage Bolt, Zinc Plated, M8-1.25 x 60mm LG	-
4	3	Flange Hex Bolt, Zinc Plated, M8-1.25 x 25mm LG	-
5	7	Hex Locknut, Zinc Plated, M8-1.25	-
6	2	Carriage Bolt, Zinc Plated, M8-1.25 x 20mm LG	-
7	1	Instruction Guide (not shown)	-



## BEFORE YOU BEGIN:

- Your Kolpin accessory is exclusively designed for your vehicle
- Please read and understand all instructions
- Verify all parts and tools are accounted for
- To ensure a satisfactory installation, follow all steps correctly and in the sequence described
- Keep these instructions for future reference or for informational requests
- To facilitate installation, make sure that your vehicle is clean and free of debris
- All directions referring to right and left are when the rider is sitting on the machine

## TOOLS REQUIRED:

- Basic Metric wrench and socket set
- Pliers
- Do not use impact tools to install hardware

## APPROXIMATE ASSEMBLY TIME: 30 minutes

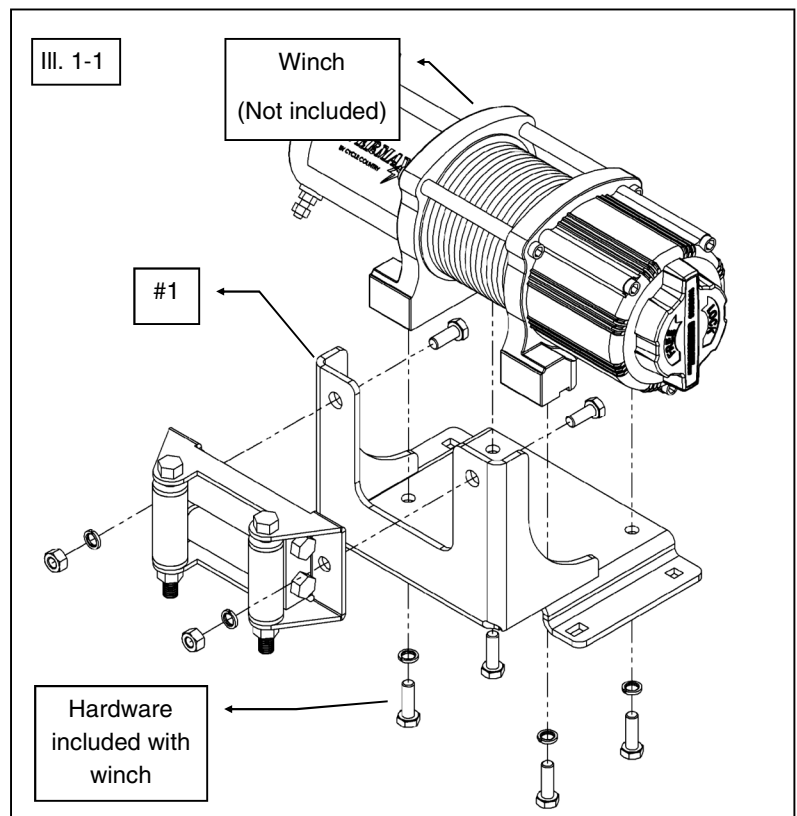
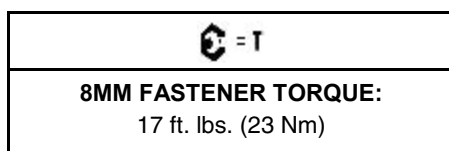
Note: If any hardware is missing, do not return to the store. Call us to help, Toll Free 1-877-956-5746.

### Installation Prep:

1. To gain access for easy install, begin by removing the front bumper, the plastic bumper guard, and the lower brush guard. Save all fasteners for re-install later. **Note, depending on vehicle trim, it's possible to install winch and mounts without removing the bumper. The installation fit will be tight.**

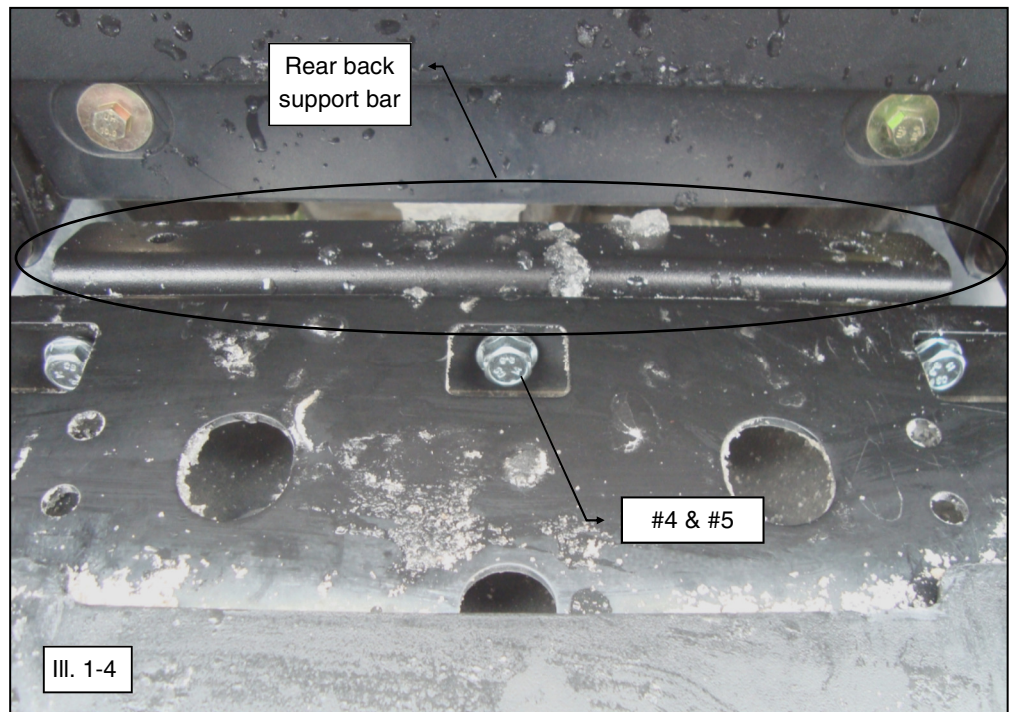
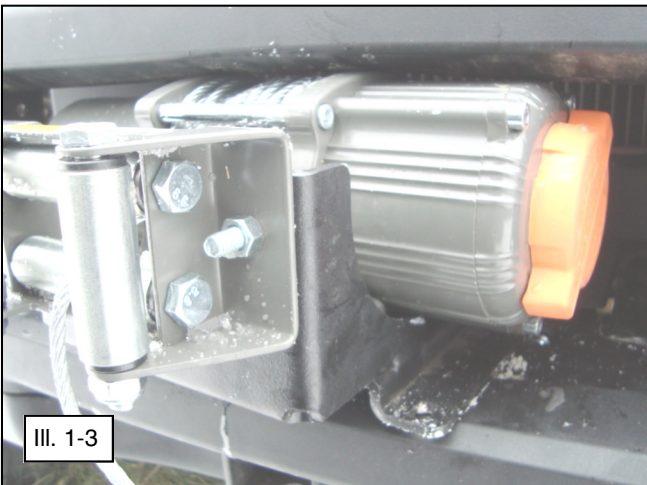
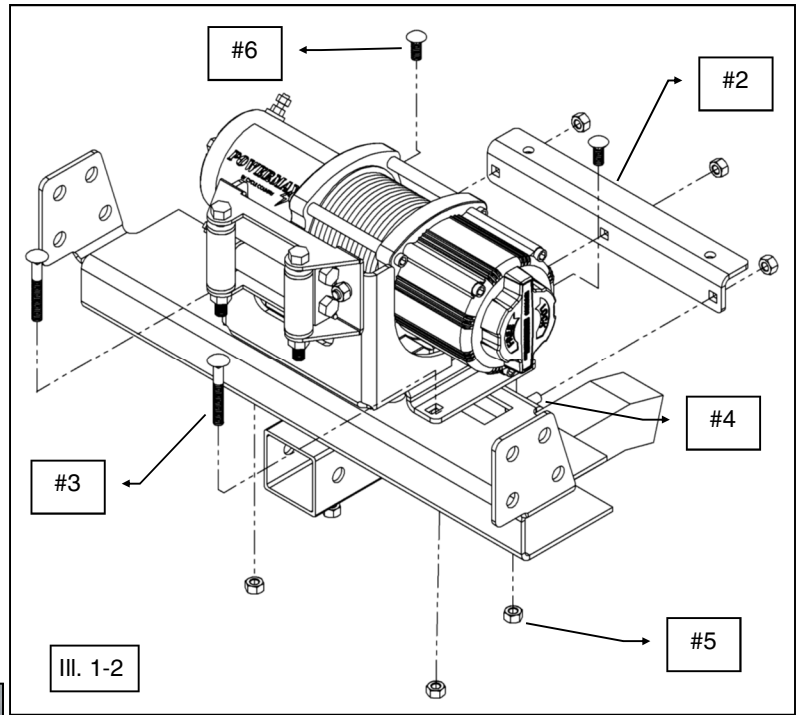
### Winch Assembly:

2. Your winch kit should include a roller fairlead and hardware. Mount the roller using the hardware from winch kit to the winch mount plate (item #1) as shown. Feed the winch cable through the rollers. Install the winch to the mount plate (item #1) using the hardware from winch kit. (See illustration 1-1).
3. Tighten M8 hardware to specification.




**Mount winch assembly to frame:**

4. Insert rear support bar (item #2) behind the winch plate from the rear as shown. Use the M8 hex flange bolt (item #4) and M8 locknuts (item #5) to attach bar to bumper frame. (See illustrations 1-2, 1-4 and 1-5). **Note, do not tighten hardware completely as it may be necessary to shift part during the next steps.**
5. Insert the winch mount assembly into position on the bumper as shown. (See illustrations 1-2, 1-3 and 1-5).



**Mount winch assembly to frame (continued):**

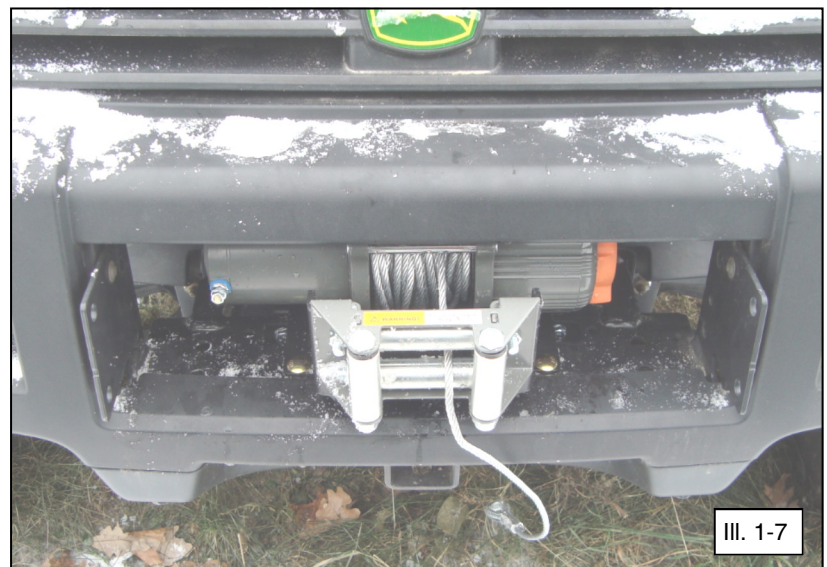
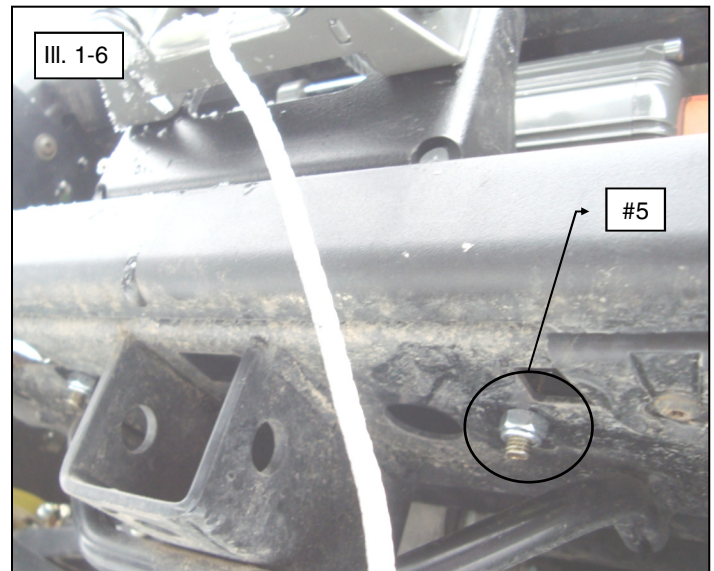
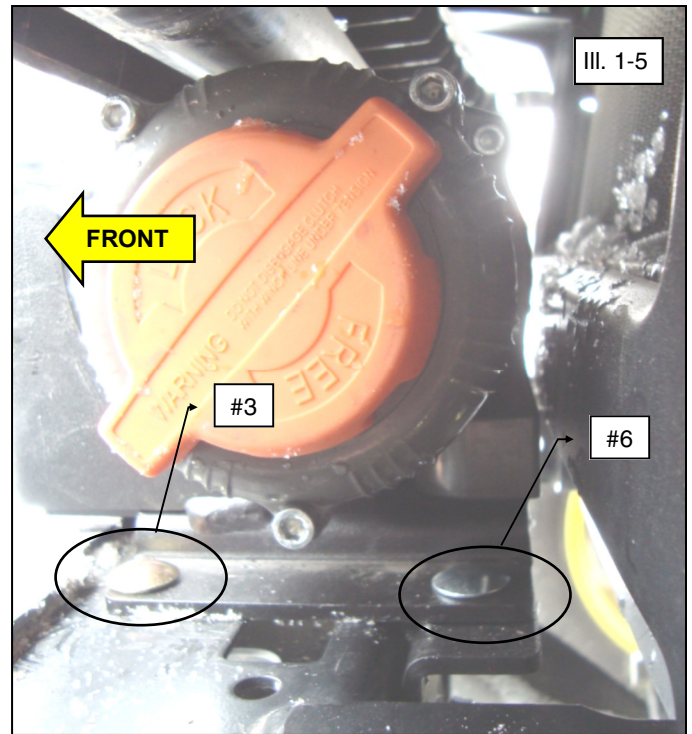
6. Fasten the front tabs of winch mount assembly to bumper using the long carriage bolt (item #3). Fasten the rear tabs of the winch mount assembly to rear support bar using the short carriage bolts (item #6) as shown. From the bottom-side of bumper, use the M8 locknuts (item #5) to secure carriage bolts. (See illustrations 1-2, 1-5 and 1-6).

 = T
<b>8MM FASTENER TORQUE:</b> 17 ft. lbs. (23 Nm)

7. Tighten all M8 hardware to specification.
8. If removed, re-install the front bumper using the OEM hardware.
9. Wire the winch according to your winch manufacturer's instructions.

**Winch Cable Wrap Installation on Spool Drum:**

10. The winch cable or rope should be wrapped around spool drum, feeding from top. Spooling the cable as shown will prolong cable life and enhance winch performance. (See illustration 1-7).
11. Connect the hook to cable or rope by using hardware included in winch kit.





## One Year Limited Warranty

For the period of one (1) year from the purchase date, Kolpin will replace for the original purchaser, free of charge, any part or parts found upon examination by Kolpin to be defective in material, workmanship, or both.

All transportation costs incurred submitting product to Kolpin for warranty consideration must be borne by the purchaser. If Kolpin determines that the product must be returned to the factory for credit, please call 1-877-956-5746 for a Return Merchandise Authorization (RMA) number and shipping instructions.

This warranty does not apply to parts that have been damaged by accident, alteration, abuse, improper maintenance, normal wear, or other causes beyond the manufacturer's control. In order to protect you and your ATV, certain parts of the system and/or hardware are designed to fail when the equipment is over-stressed. Parts that are lost due to loosening and improper maintenance are not covered under warranty. This warranty does not cover removal or reinstallation labor fees of the plow system and related components.

Peripheral products such as engines, electric motors, and actuators may carry an original manufacturer's warranty. Most hardware is general in nature and is easily obtained locally. Be sure to replace with minimum metric class 8.8 specification.

**Kolpin Outdoors, Inc.**

**Telephone: (763)-478-5800**

**Toll Free: (877)-956-5746**

**Fax Number: (800)-245-7569**

**[www.kolpin.com](http://www.kolpin.com)**

**Email: [customerservice@kolpin.com](mailto:customerservice@kolpin.com)**